



Spare parts list

(16302020) K 5.93M *CA

(16302030) K 5.93M PLUS

CONTENT LIST

1.0 Housing

2.0 Pump set

2.1 Housing

2.2 Thrust guidance

3.0 Motor

4.0 Accessories

4.1 Hand trigger gun

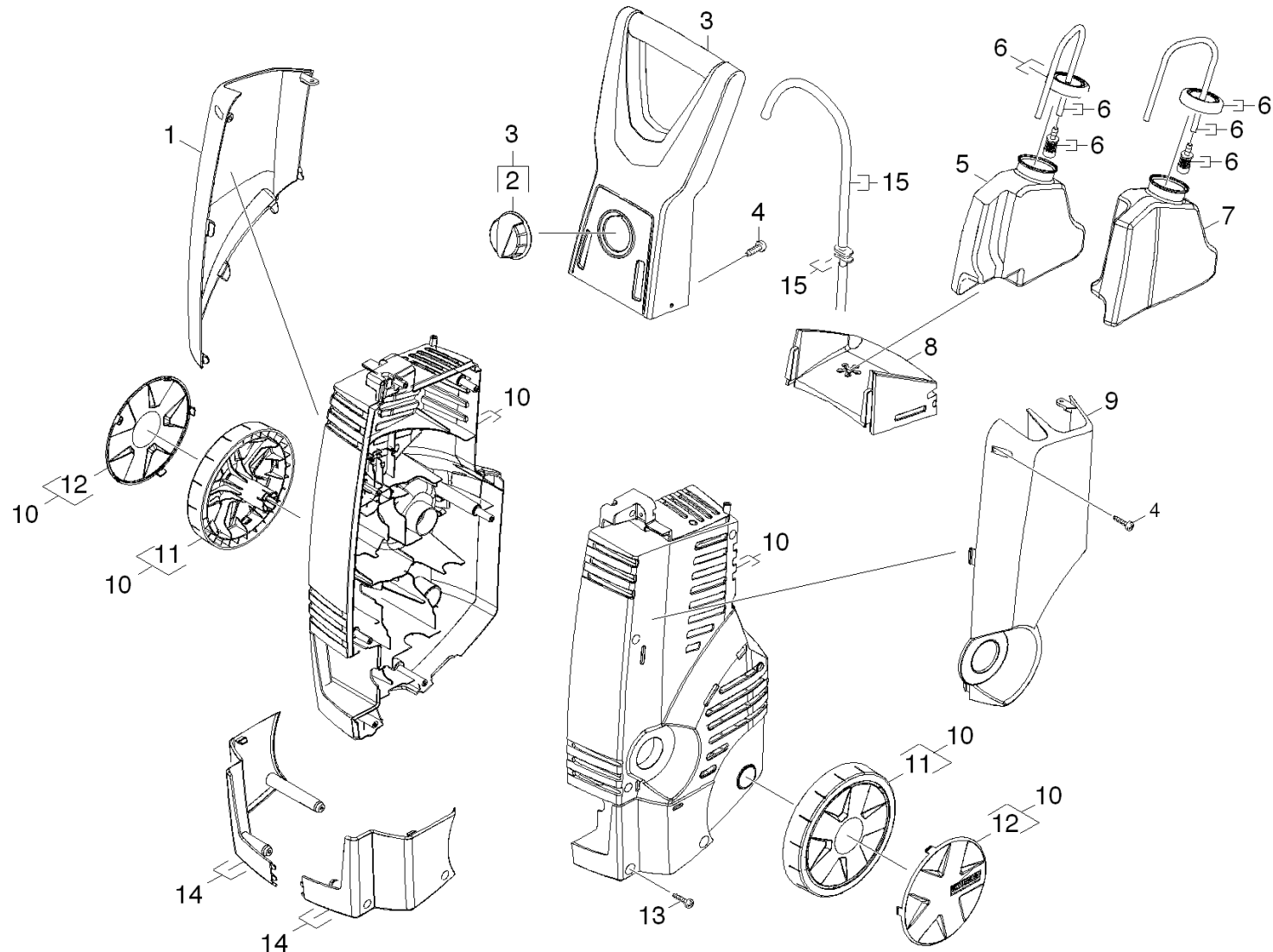
4.2 Jet pipe

5.0 Electric box

5.1 Electric box

5.2 Electric box

1.0 Housing



1.0 Housing

POS	DESCRIPTION ADDITIONAL INFORMATIONS	PART NO	QTY.	FROM SER.NR.	UP TO SER. NR.
1	Holder accessories left K3.93/5.93	90371600	1		
2	Proportioning valve chemistry	45800000	1		
3	Hand grip complete K5.93	90120570	1		
4	Screw 4x22	90862030	4		
5	Tank cleaning agents right K X.93M	90371670	1		
6	Filter cleaning agents complete	90117110	2		
7	Tank cleaning agents left K X.93M	90371660	1		
8	Holder tank K X.93M	90371490	1		
9	Holder accessories right K3.93/5.93	90371610	1		
10	Housing pair complete	90013740	1		
11	Wheel neutrally D160	90371550	2		
12	Wheel cab silver D160	90371800	2		
13	Screw Hi-Lo d.4x22 Torx-d.7,5	90861730	11		
14	Bumper complete K5.93	90371640	1		
15	Hose cleaning agents complete 520mm	90117120	1		

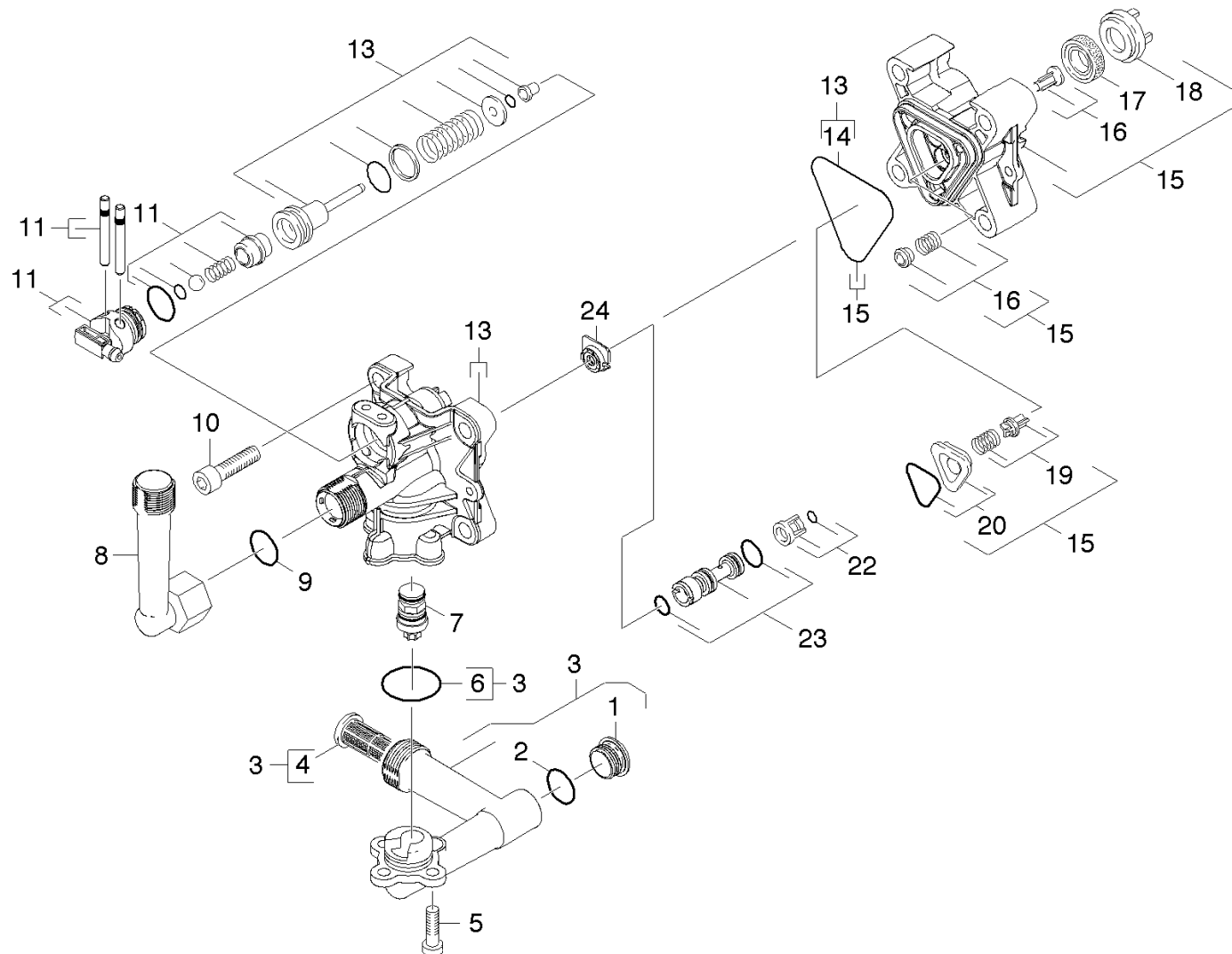
2.0 Pump set

2.1 Housing

2.2 Thrust guidance



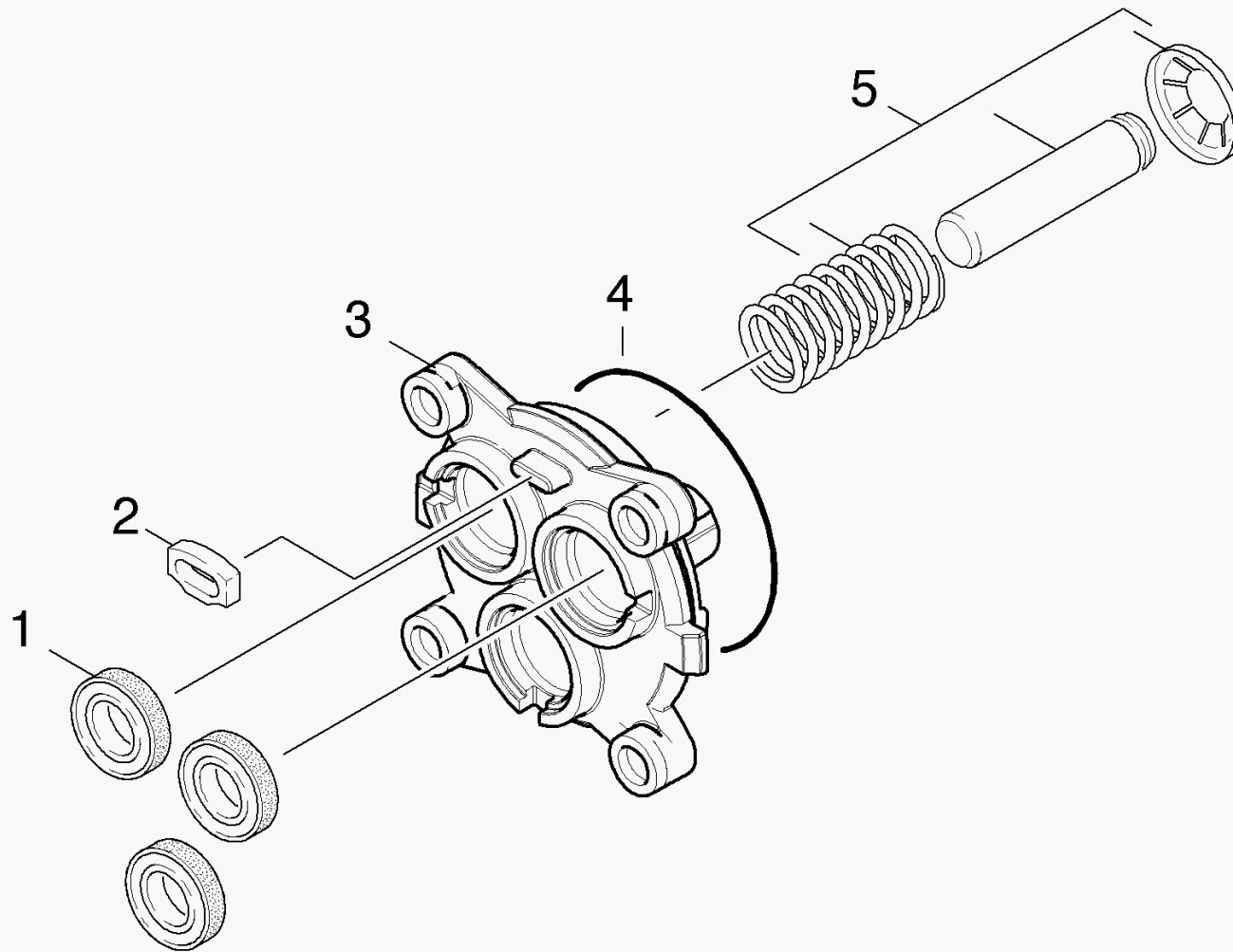
2.1 Housing



2.1 Housing

POS	DESCRIPTION ADDITIONAL INFORMATIONS	PART NO	QTY.	FROM SER.NR.	UP TO SER. NR.
1	SCREW.PLUG	90368980	1		
2	O-Ring seal 15x2	90814020	1		
3	Suction connection	90013520	1		
4	Fine filter	57315980	1		
5	SCREW M6X16 TORX TRILOBATA	90861990	3		
6	O-Ring d.20 x 2	90814170	1		
7	BY-PASS VALVE	90012810	1		
8	CONNECTION	90012790	1		
9	O-Ring d. 10 x 2 NBR 70	63621510	1		
10	Cylinder head screw M8x65 -8.8-A2E ISO4	73061510	4		
11	Spare parts set chemistry	90012770	1		
13	SPARE PART	90012730	1		
14	Form seal	90814240	1		
15	Headtube	90012740	1		
16	Moulded part complete	90011100	1		
17	Grooved ring	63628750	3		
18	Backup Ring	90370590	3		
19	VALVE	90012750	1		
20	JOINING PIECE	90012760	1		
22	Cage complete	90118120	1		
23	Injector cleaning agents complete	90118130	1		
24	Distance holder	90371420	1		

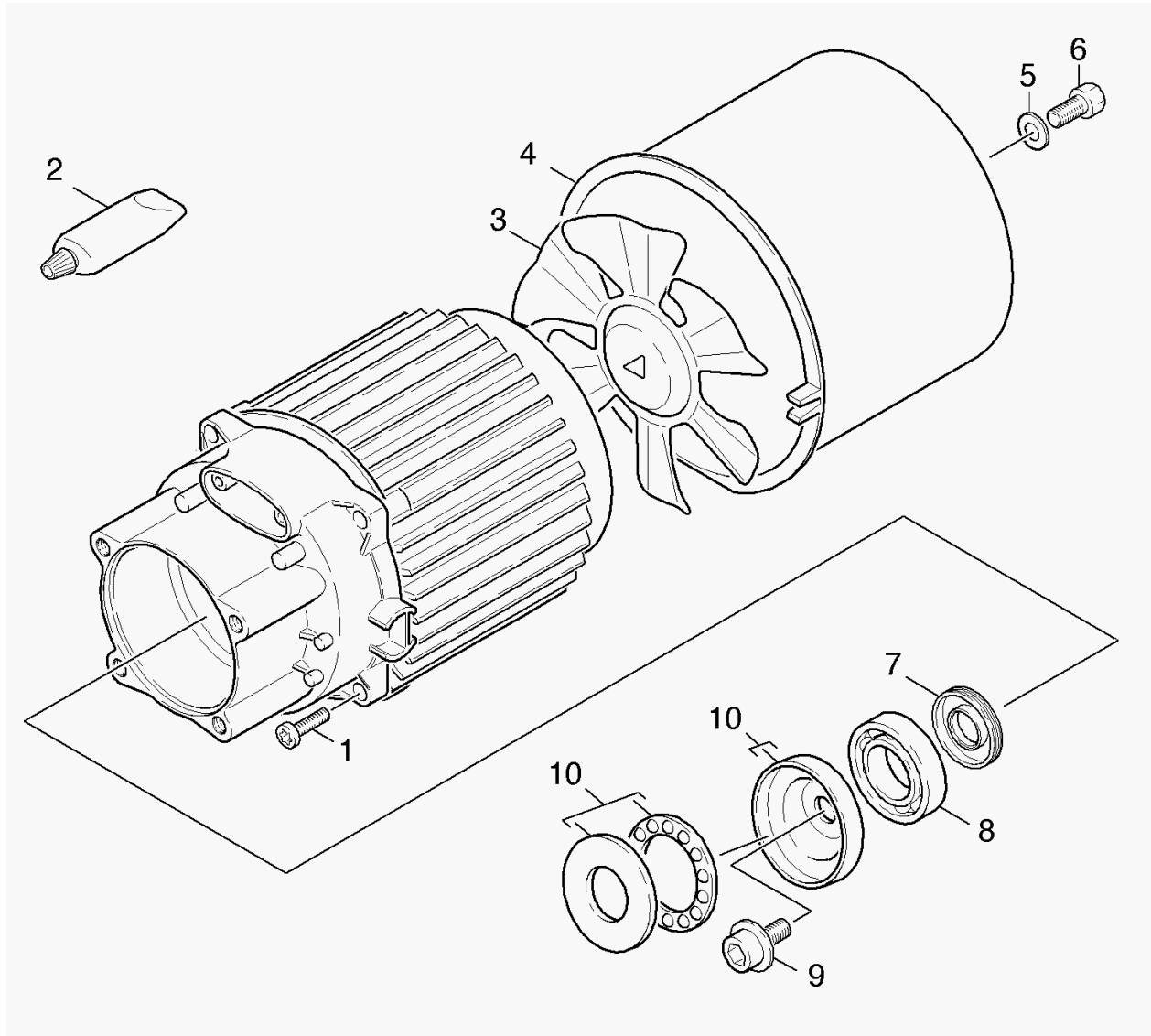
2.2 Thrust guidance



2.2 Thrust guidance

POS	DESCRIPTION ADDITIONAL INFORMATIONS	PART NO	QTY.	FROM SER.NR.	UP TO SER. NR.
1	SEAL	69640260	3		
2	Spacer - Seal	90480710	1		
3	THRUST GUIDANCE	90420500	1		
4	O-Ring seal 62x3 NBR 70Shore	90804260	1		
5	Piston complete 3 QTY.	90013260	1		

3.0 Motor



3.0 Motor

POS	DESCRIPTION ADDITIONAL INFORMATIONS	PART NO	QTY.	FROM SER.NR.	UP TO SER. NR.
1	Screw M 5x20	90861850	4		
2	Viscous oil 50ml	69640920	1		
3	Blower wheel	90391880	1		
4	HOUSING	69640900	1		
5	Serrated lock washer A8,4-FSt-A3E DIN67	73122330	1		
6	Hexagonal head screw M8x16-8.8-A2E ISO	73043950	1		
7	Rotary shaft seal 17x35x5	90780070	1		
8	Ball bearing 6303 -St DIN 625	74010100	1		
9	Wobble plate screw M8x16	90861690	1		
10	Swash plate	90013020	1		

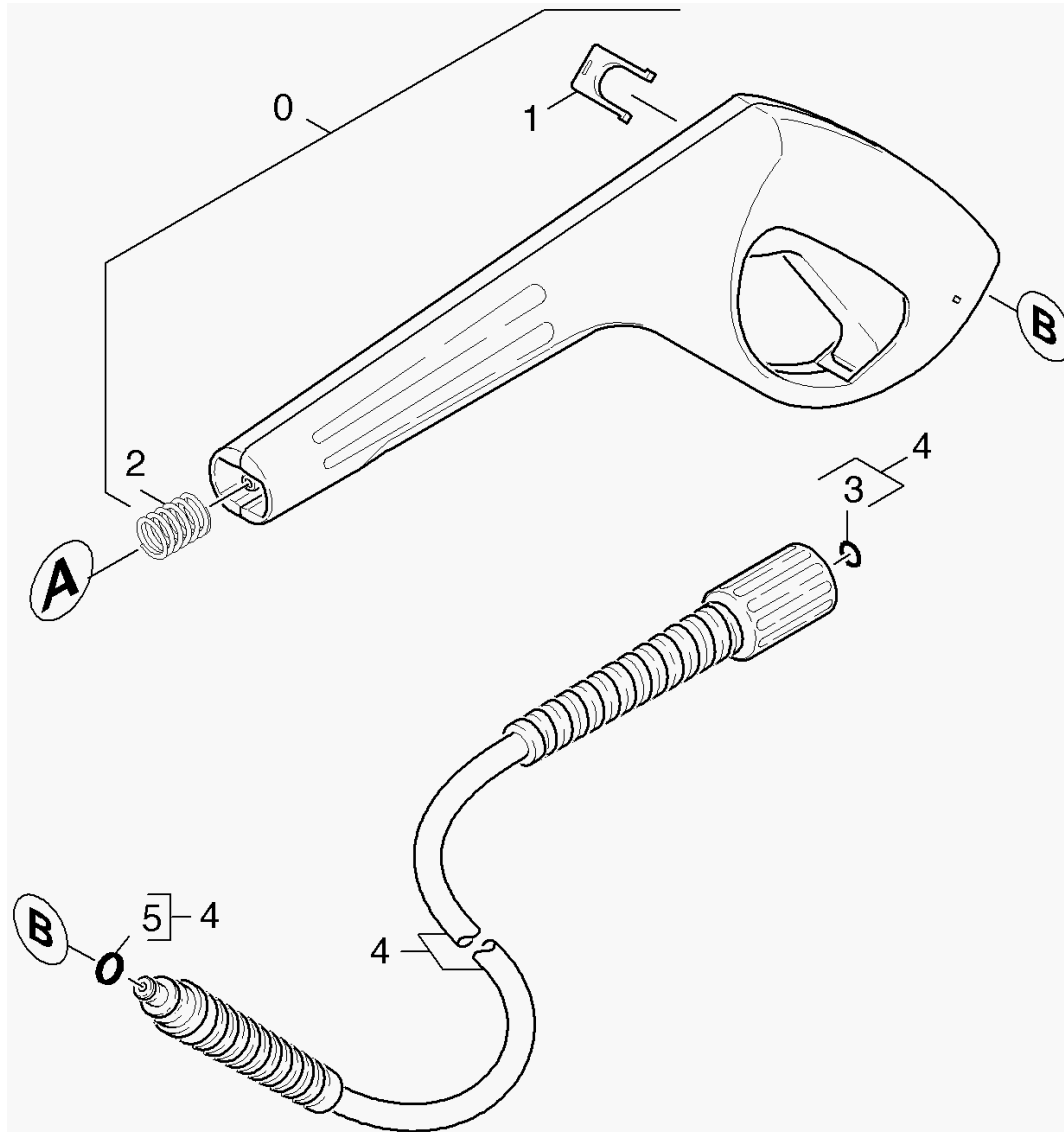
4.0 Accessories

4.1 Hand trigger gun

4.2 Jet pipe



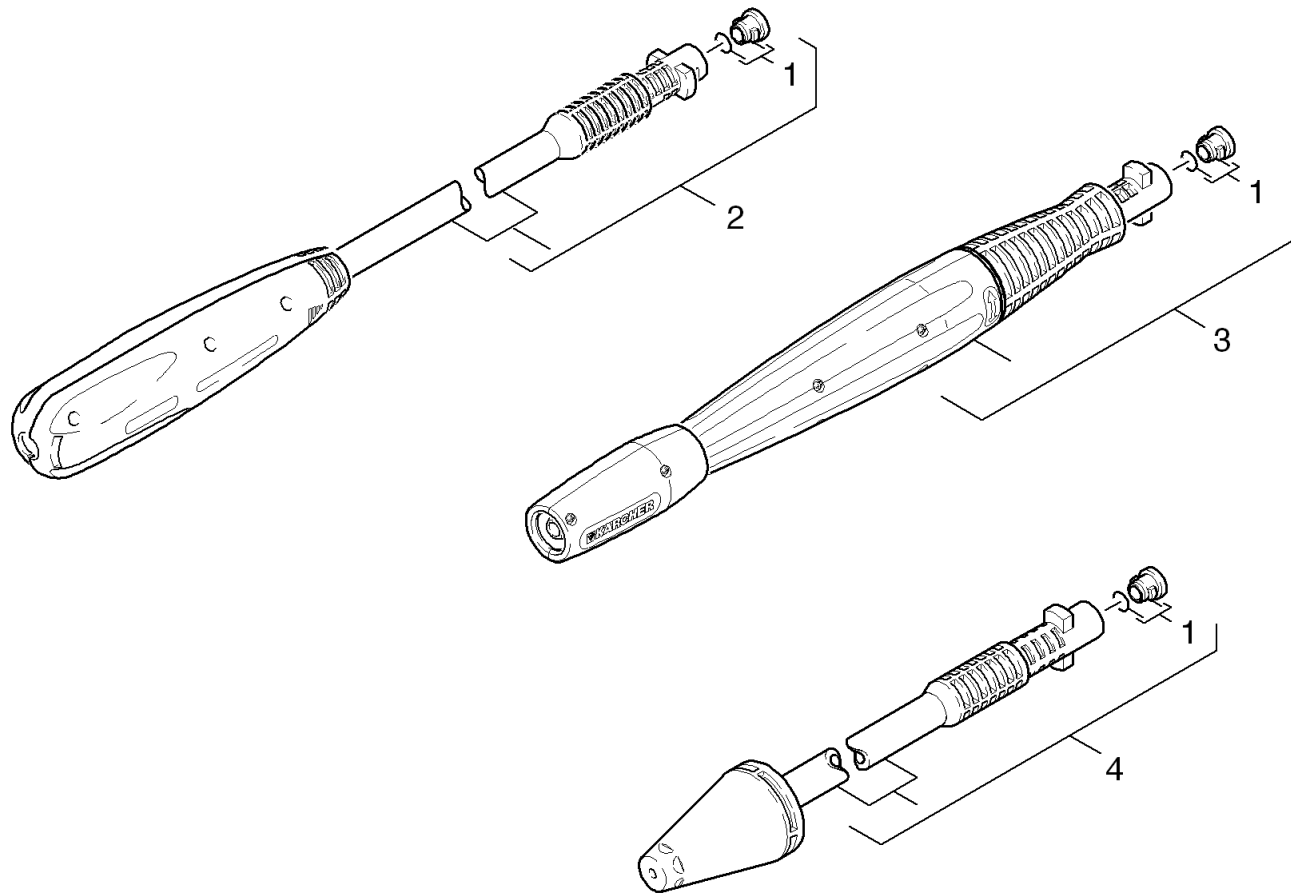
4.1 Hand trigger gun



4.1 Hand trigger gun

POS	DESCRIPTION ADDITIONAL INFORMATIONS	PART NO	QTY.	FROM SER.NR.	UP TO SER. NR.
0	Pistol-M replacement packaged V1.1 RM K5	26412030	1		
1	CLAMP	50371640	1		
2	Pressure spring	53324640	1		
3	Spare part set O-Ring seal 5x-Kaercher	28802960	1		
4	High pressure hose 9/16MPa	63904630	1		
5	GASKET	63631980	1		

4.2 Jet pipe



4.2 Jet pipe

POS	DESCRIPTION ADDITIONAL INFORMATIONS	PART NO	QTY.	FROM SER.NR.	UP TO SER. NR.
1	O-Ring seal set	26407290	1		
2	Stockpiling discontinued	77779990	1		
3	VPS K5 0287	47605270	1		
4	ROTARY NOZZLE	47639910	1		

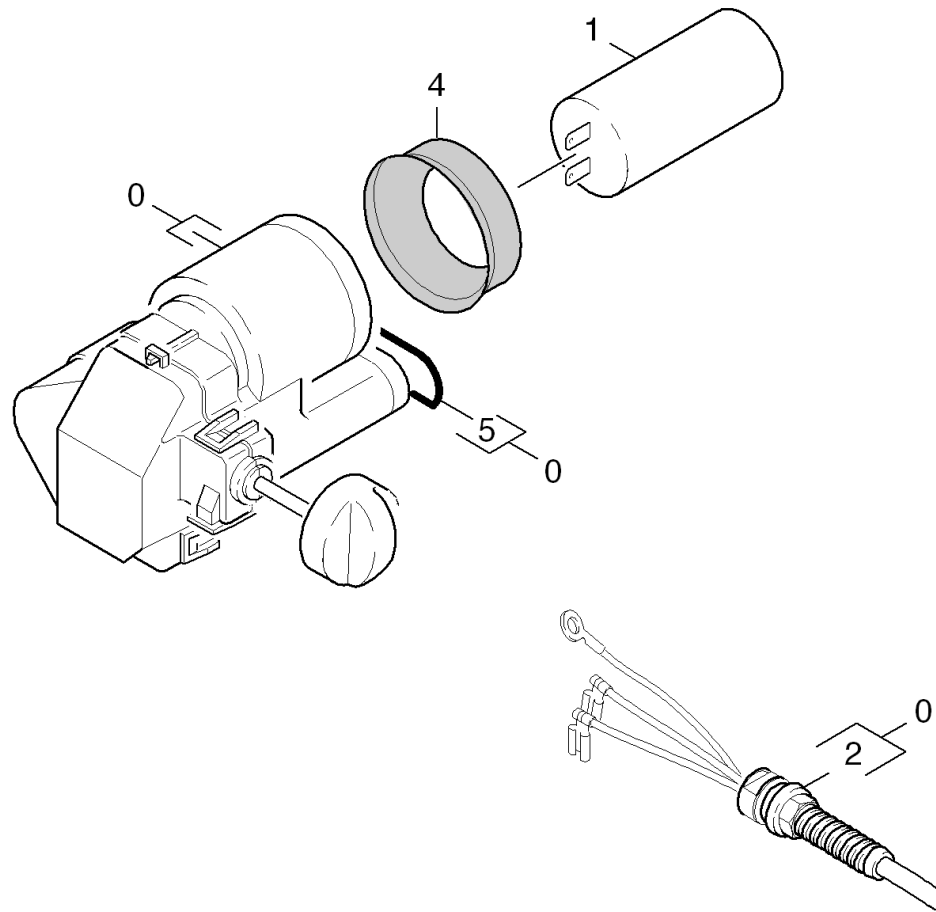
5.0 Electric box

5.1 Electric box

5.2 Electric box



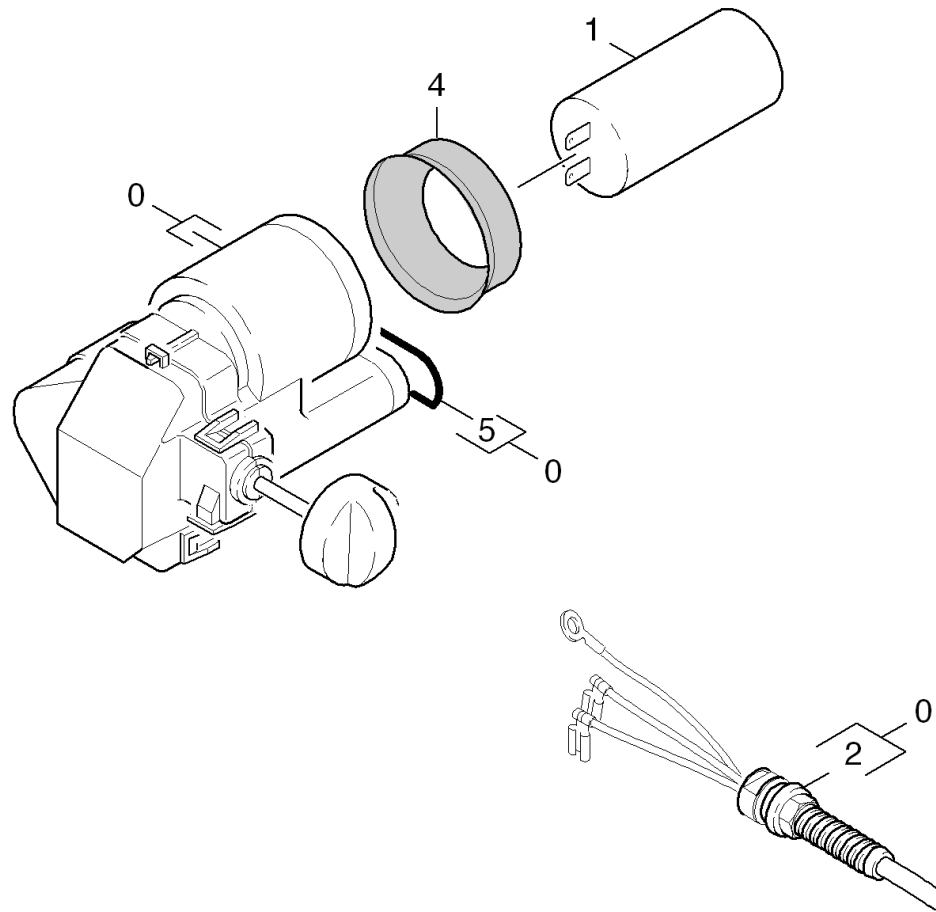
5.1 Electric box



5.1 Electric box

POS	DESCRIPTION ADDITIONAL INFORMATIONS	PART NO	QTY.	FROM SER.NR.	UP TO SER. NR.
0	Electric box 1.630-202.0	90015600	1		
1	CAPACITOR 65MUEF	90850360	1		
2	Cable with plug 1.630-202.0	90841790	1		
4	Joint ring capacitor d.45, 70 Shore	90804210	1		
5	O-Ring d.20 x 2	90814170	1		

5.2 Electric box



5.2 Electric box

POS	DESCRIPTION ADDITIONAL INFORMATIONS	PART NO	QTY.	FROM SER.NR.	UP TO SER. NR.
0	Electric box K5.93 (C=65mF) * 1.630-203.0	90123250	1		
1	CAPACITOR 65MUEF	90850360	1		
2	Cable with plug 1.630-203.0	90841490	1		
4	Joint ring capacitor d.45, 70 Shore	90804210	1		
5	O-Ring d.20 x 2	90814170	1		